



# FRONT LOAD WASHER

AFNE9B 10KG  
TOUCH



MADE IN AMERICA, BUILT TO LAST SINCE 1908



# PROVEN PERFORMANCE SINCE 1908

From Australian mines and oil rigs to the US Army, Speed Queen has over a century of experience performing in the harshest environments around the world, earning a reputation for reliability and performance.

With the toughest washer in its class, and its matching dryer, you can get Speed Queen's uncompromising performance at home.

## DURABLE

Built to last up to 25 Years in the home or 10,400 cycles.

## TRUSTED

Over 100 years of experience manufacturing laundry equipment.

## QUALITY

Commercial Grade Industrial motor with Stainless Steel inner & outer wash bowl.

## EFFICIENCY

Dynamic Balancing technology delivers faster cycles, quieter operation and faster dry times.

## EFFICIENCY

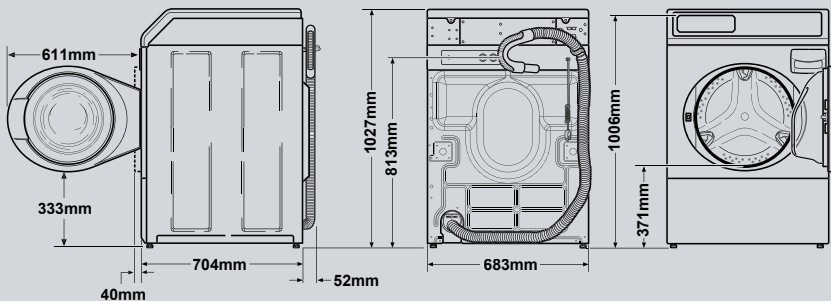
Cycles to suit your lifestyle, Quick Wash, Light, just 24 minutes.

## WASHER

Wash tub:	Stainless Steel
Electrical Requirements:	240V / 50Hz AC / 1 Ph
Breaker Size:	10 Amp
Wash Cycles:	10 including Favourites plus Extra options
WELS:	3 Star



## MATCHING DRYER ADEEBBW (ELECTRIC) OR ADGEBBW (GAS)



To learn more about Speed Queen's century of uncompromising performance and reliability, visit [speedqueen.com.au](http://speedqueen.com.au) or call 1300 WASHER (1300 927 437) today.

Five year warranty on all parts and labour. Lifetime parts warranty on the stainless steel wash tub.

For the most accurate information, the installation guide should be used for all design and construction purposes. Due to continuous product improvements, design and specifications are subject to change without notice. The quality management system of Alliance Laundry Systems' Ripon facility has been registered to ISO 9001:2000.