

Installation Instructions

for Topload Washers

Original Instructions

Keep These Instructions for Future Reference.

(If this machine changes ownership, this manual must accompany machine.)



www.alliancelaundry.com

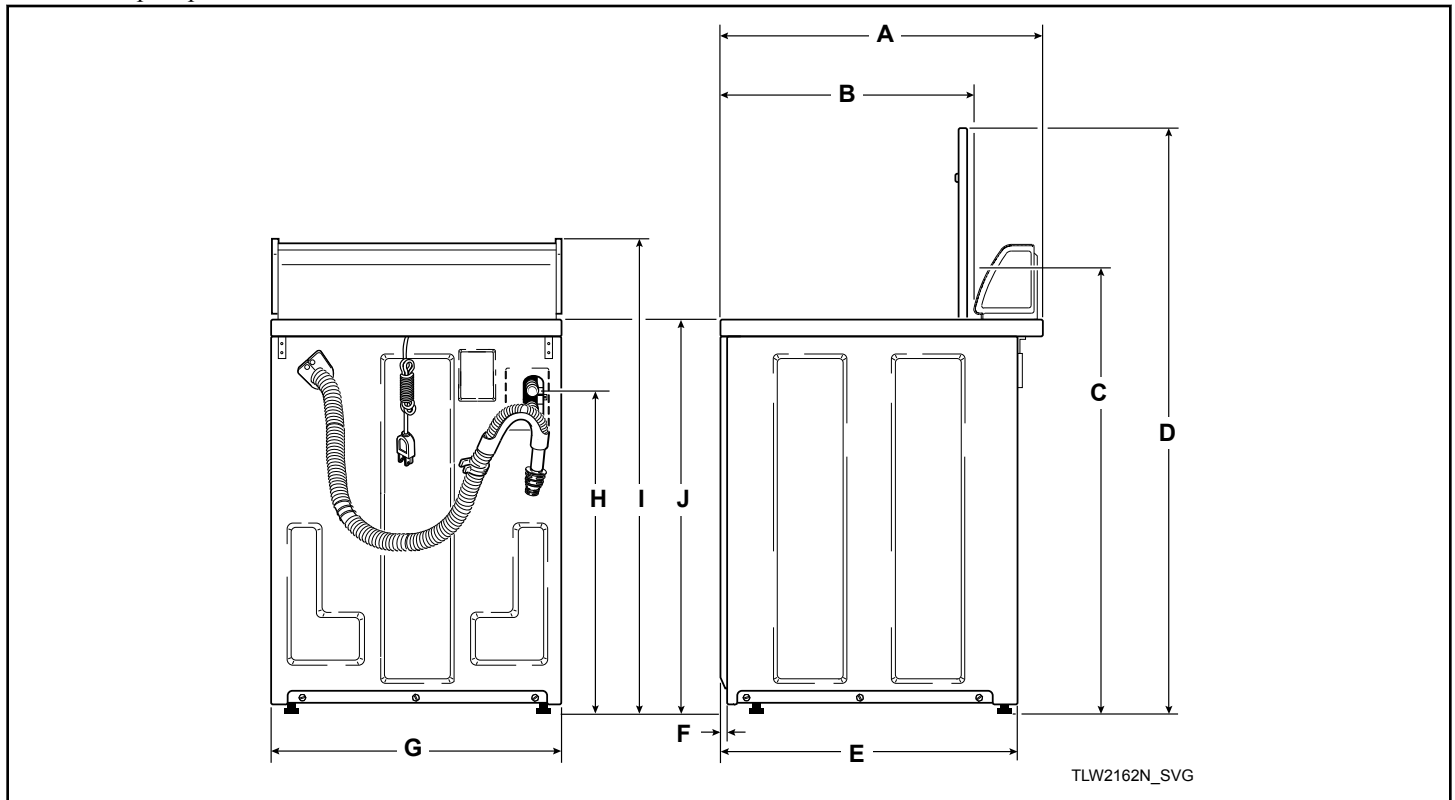
Part No. 203063R4
January 2017

Table of Contents

Dimensions and Specifications.....	4
Installation.....	5
Before You Start.....	5
Supplies.....	5
Order of Installation Steps.....	5
Remove the Shipping Brace and Shipping Plug.....	5
Wipe Out Inside of Washtub.....	6
Connect Fill Hoses.....	6
Water Supply Requirements.....	6
Connecting Hoses.....	7
Connect Drain Hose to Drain Receptacle.....	8
Standpipe Installation.....	8
Low Standpipe Installation.....	8
Wall Installation.....	9
Laundry Tub Installation.....	9
Position and Level the Washer.....	9
Plug In the Washer.....	10
Electrical Requirements.....	10
Earth/Ground Instructions.....	11
Add Water to the Washer.....	11
Check Lid Switch.....	11
Check Installation.....	12
Installer Checklist.....	13

Dimensions and Specifications

Maximum spin speed of washer is 710 RPM.



A	711 mm [28 in.]
B	562 mm [22.13 in.]
C	*1036 mm [40.77 in.]
D	*1346 mm [53 in.]
E	660 mm [26 in.]
F	10 mm [0.4 in.]
G	651 mm [25.63 in.]
H	*737 mm [29 in.]
I	*1092 mm [43 in.]
J	*914 mm [36 in.]
	*With leveling legs turned into base.

Installation

Before You Start

Supplies

For most installations, the basic supplies you will need are:

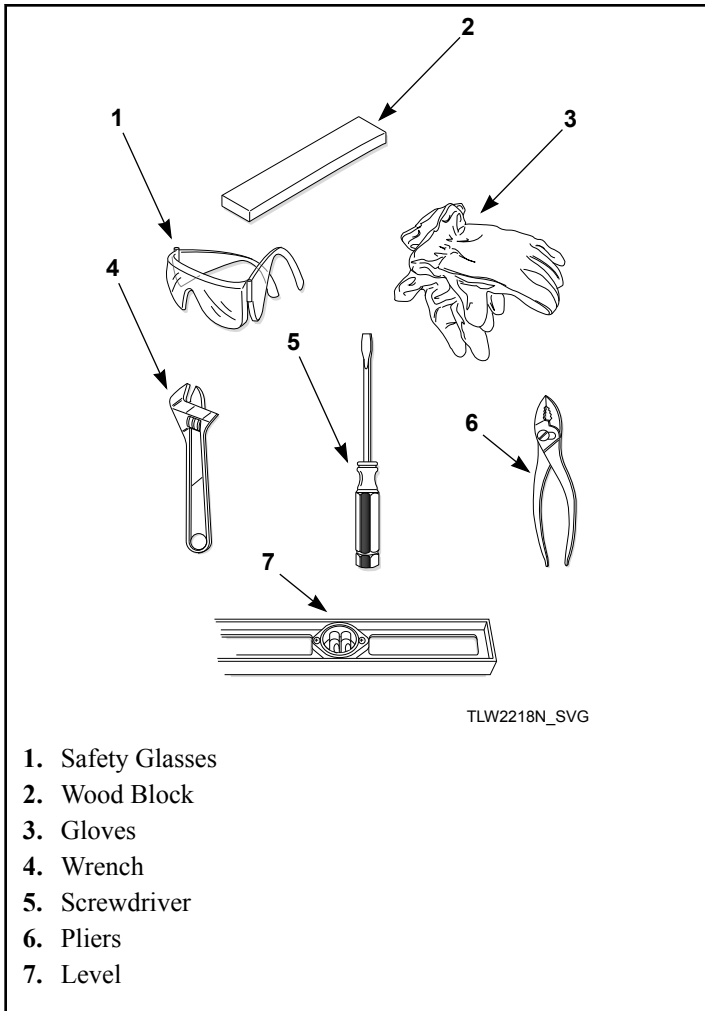


Figure 1

NOTE: If the washer is delivered on a cold day (below freezing), or is stored in an unheated room or area during the cold months, do not attempt to operate it until the washer has had a chance to warm up.

NOTE: Install dryer before washer. This allows room for attaching exhaust duct.

NOTE: This appliance is suitable for use in countries having a warm, damp climate.

Order of Installation Steps

The proper order of steps must be followed to ensure correct installation. Refer to the list below when installing your unit.

1. Remove the shipping brace and shipping plug.
2. Wipe out inside of the washer.
3. Connect the fill hoses.
4. Connect the drain hose to the drain receptacle.
5. Position and level the washer.
6. Connect the washer to electrical power.
7. Add water to the washer.
8. Check the lid switch.
9. Check installation.

Remove the Shipping Brace and Shipping Plug

1. Remove the shipping brace from under the lid.
2. The shipping plug will be released from the base of the washer when removing the cardboard base from the washer. Refer to *Figure 2*.

The shipping brace and plug should be saved and must be reinstalled whenever washer is moved or transported to a new location. This will prevent damage to washer components.

Do not tilt washer to front or sides when moving.

Refer to the User's Guide for instructions on reinstalling the shipping materials.

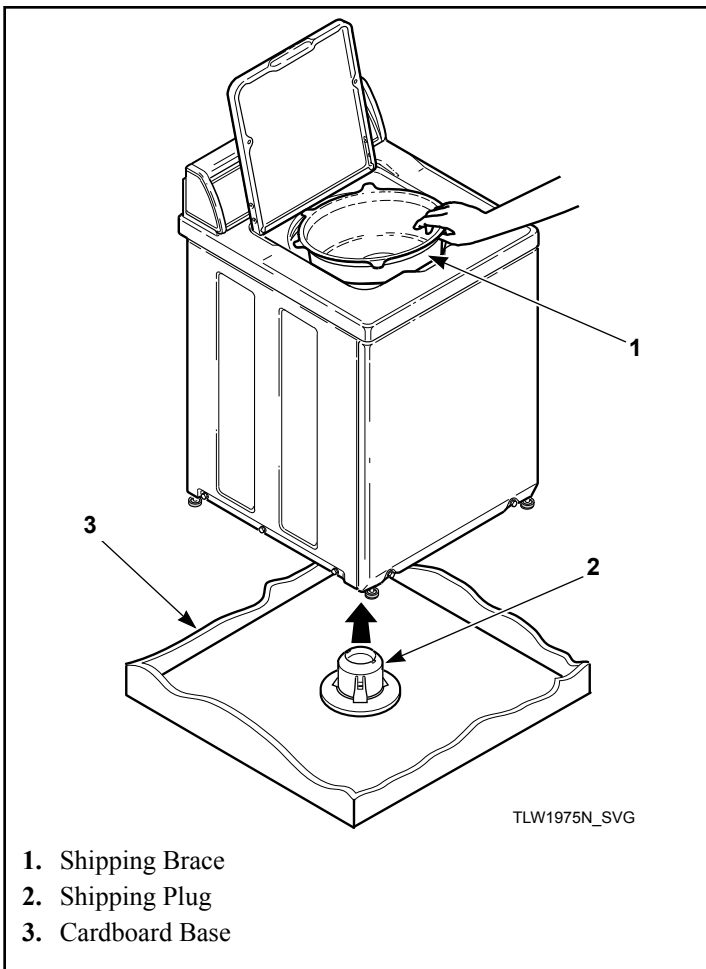


Figure 2

Wipe Out Inside of Washtub

Prior to first wash, use an all purpose cleaner or a detergent and water solution and a damp cloth to remove shipping dust from inside of washtub.

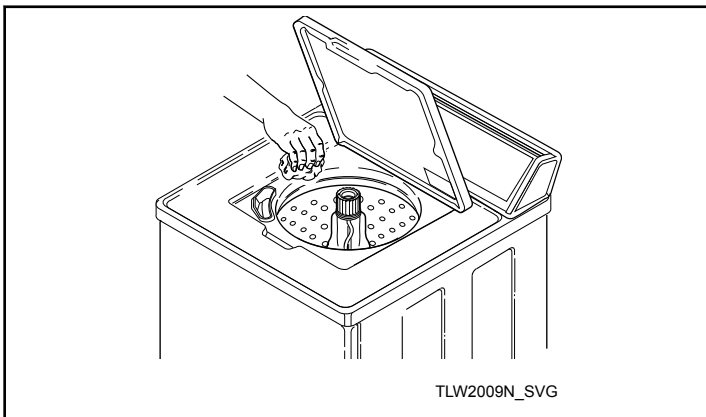


Figure 3

Connect Fill Hoses



WARNING

Under certain conditions, hydrogen gas may be produced in a hot water system that has not been used for two weeks or more. **HYDROGEN GAS IS EXPLOSIVE.** If the hot water system has not been used for such a period and before using the washer, turn on all hot water taps and let the water flow from each for several minutes. This will release any accumulated hydrogen gas. The gas is flammable. Do not smoke or use an open flame during this time.

W029

Mixing Valve Flow Rates

Pressure kPa [psi]	HOT liters per minute [gallons per minute]	COLD liters per minute [gallons per minute]	WARM liters per minute [gallons per minute]
138 [20]	12.9 [3.4]	12.9 [3.4]	15.1 [4.0]
827 [120]	17.4 [4.6]	17.4 [4.6]	17.4 [4.6]

Water Supply Requirements

Water supply taps must fit standard 19 mm [3/4 inch] female garden hose couplings. **DO NOT USE SLIP-ON OR CLAMP-ON CONNECTIONS.**

NOTE: Water supply taps should be readily accessible to permit turning them off when washer is not being used.

Recommended cold water temperature is 10° to 24° Celsius [50° to 75° Fahrenheit]. Recommended maximum hot water temperature is 51° Celsius [125° Fahrenheit]. Warm water is a mixture of hot and cold water. Warm water temperature is dependent upon the water temperature and the pressure of both the hot and cold water supply lines.



WARNING

To prevent personal injury, avoid contact with inlet water temperatures higher than 51° Celsius [125° Fahrenheit] and hot surfaces.

W748

Water pressure must be a minimum of 138 to a maximum of 827 kPa [minimum of 20 to a maximum of 120 pounds per square inch] static pressure measured at the tap.

NOTE: Water pressure under 138 kPa [20 pounds per square inch] will cause an extended fill time in the washer.

The appliance is to be connected to the water mains using new hose-sets and the old hose-sets should not be reused.

Turn on the water supply taps and flush the lines for approximately two minutes to remove any foreign materials that could clog the screens in the water mixing valve. This is especially important when installing your washer in a newly constructed or renovated building. Build-up may have occurred during construction.

Connecting Hoses

To comply with Australian water regulations and Australian standard AS/NZS3500.1, an approved dual check valve backflow prevention device with the watermark must be fitted at the point of connection(s) between the supply and the fitting. Refer to *Figure 5*.



Figure 4

Connections should be supplied by a hot and a cold water line per national and local codes and in accordance with AS/NZS 3500.1.

1. Insert rubber washers and filter screens (from accessories bag) in water fill hose couplings (two hoses supplied with washer). The filter screen must be facing outward.

NOTE:

If using black rubber hoses with black and brass couplings: Insert filter screens into the **BLACK** colored hose couplings (BSPP thread). Insert rubber washers into the brass colored hose couplings (Garden Hose Thread [GHT]).

If using gray braided hoses with silver hose couplings (one with hex nut): Insert filter screens into the hex nut shaped hose couplings (BSPP thread). Insert rubber washers into the knurled, round shaped hose couplings (GHT).

2. Connect fill hose couplings with filter screens to water supply taps.
3. Connect the other hose couplings to the hot and cold valve connections at the rear of the washer.

NOTE:

If using black rubber hoses with black and brass couplings: Connect the **BLACK** colored hose coupling (BSPP thread) end of the fill hoses (with filter screens) to the water supply taps. Then connect end of hoses with the brass colored hose couplings (GHT) to the hot and cold water mixing valve connections at rear of washer.

If using gray braided hoses with silver hose couplings (one with hex nut): Connect the hex nut shaped hose couplings (BSPP thread, with filter screens) to the water supply taps. Then connect couplings with knurled, round shaped couplings (GHT) to the hot and cold water mixing valve connections at rear of washer.

4. Make sure the hose from the hot water tap goes to the water mixing valve marked “H” and the hose from the cold tap goes to the valve marked “C”.
5. Thread hose couplings onto valve connections finger tight. Then turn 1/4 turn with pliers.

IMPORTANT: DO NOT cross thread or overtighten couplings. This will cause them to leak.

6. Turn water on and check for leaks.
7. If leaks are found, retighten the hose couplings.
8. Continue tightening and rechecking until no leaks are found.

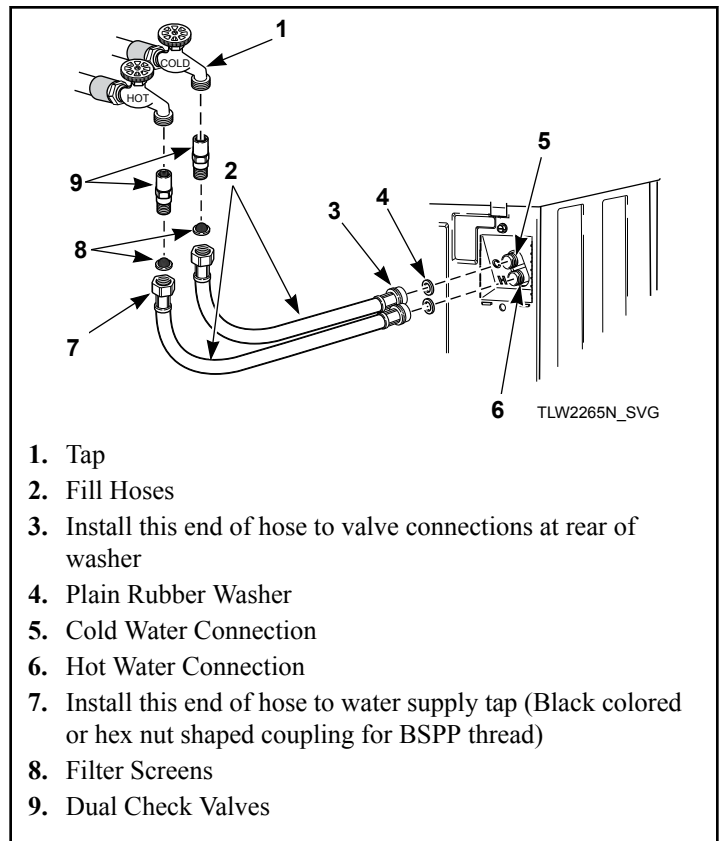


Figure 5

IMPORTANT:

Hoses and other natural rubber parts deteriorate after extended use. Hoses may develop cracks, blisters or material wear from the temperature and constant high pressure they are subjected to.

All hoses should be checked on a monthly basis for any visible signs of deterioration. Any hose showing the signs of deterioration listed above should be replaced immediately. All hoses should be replaced every five years.

IMPORTANT: Turn off water supply taps after check-out and demonstration. Owner should turn off water supply whenever there will be an extended period of non-use.

Connect Drain Hose to Drain Receptacle

1. Remove the drain hose from its shipping position on the rear of the washer by unhooking the hose from the retainer clamp.
2. Install the drain hose into the drain receptacle (standpipe, wall or laundry tub) following the instructions below.

NOTE: Drain receptacle must be capable of handling a minimum of 32 mm [1-1/4 inch] outside diameter drain hose.

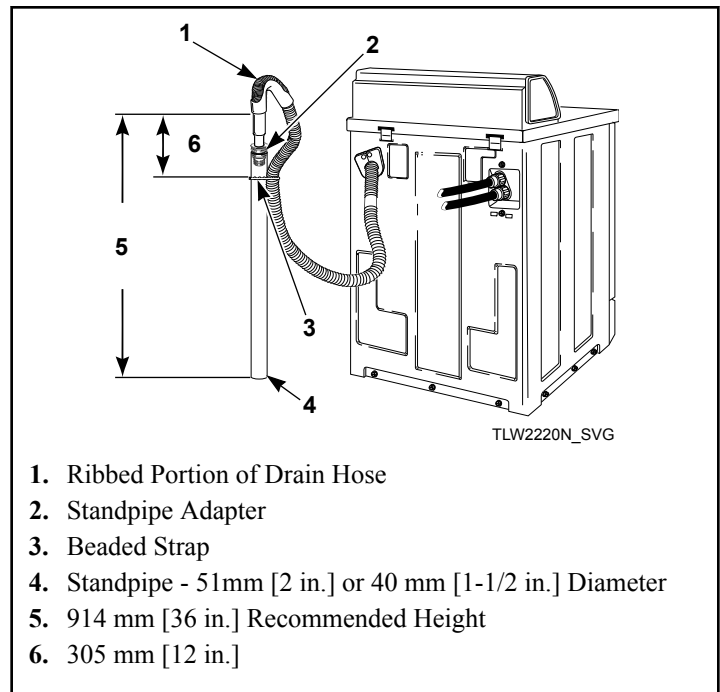
Standpipe Installation

1. Check standpipe height. The recommended height for the standpipe is 914 mm [36 inches]. Standpipes higher than 1220 mm [4 feet] are not recommended.

2. Place the adapter into the standpipe.

IMPORTANT: To prevent siphoning, do not place any ribbed portion of the drain hose into the standpipe.

3. Remove the beaded strap from accessories bag and place around standpipe and drain hose, approximately 300 mm [12 inches] down from the top of pipe. Refer to *Figure 6*.
4. Tighten strap to hold hose to standpipe. This will prevent the drain hose from dislodging from drain receptacle during use.

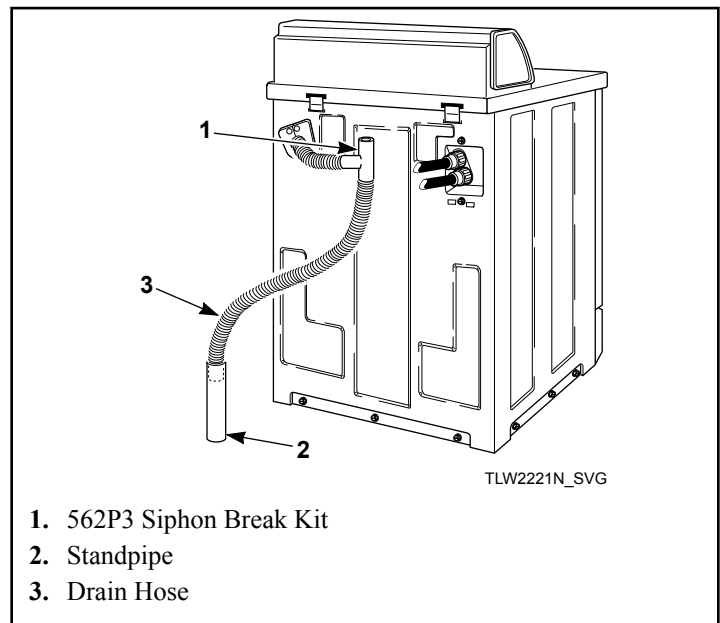


1. Ribbed Portion of Drain Hose
2. Standpipe Adapter
3. Beaded Strap
4. Standpipe - 51mm [2 in.] or 40 mm [1-1/2 in.] Diameter
5. 914 mm [36 in.] Recommended Height
6. 305 mm [12 in.]

Figure 6

Low Standpipe Installation

If standpipe is lower than 914 mm [36 inches], you must install No. 562P3 Siphon Break Kit. Refer to *Figure 7*. This kit is available (as optional equipment at extra cost) through an authorized dealer or parts distributor. Installation instructions are supplied with the kit.



1. 562P3 Siphon Break Kit
2. Standpipe
3. Drain Hose

Figure 7

Wall Installation

For installations of this type, the drain hose MUST be secured to one of the fill hoses using the beaded strap from accessories bag. Refer to *Figure 8*.

NOTE: End of drain hose must not be below height of cabinet top.

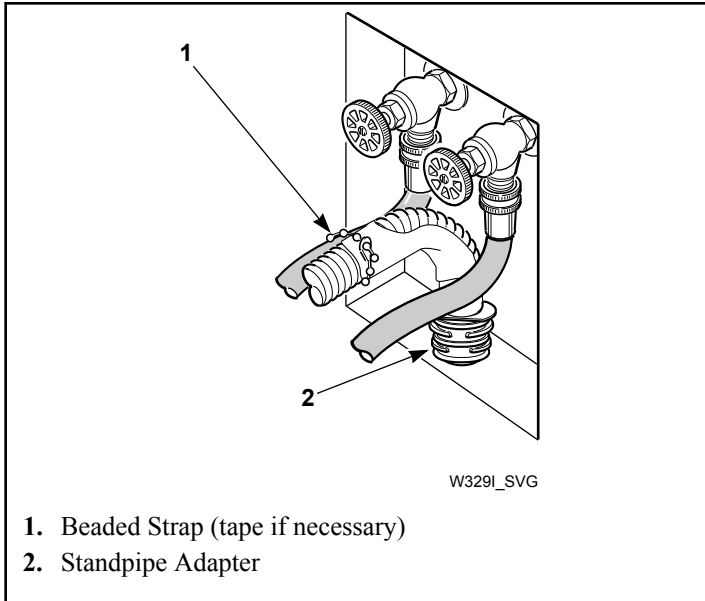


Figure 8

Laundry Tub Installation

For this type of installation, the drain hose MUST be secured to the stationary tub to prevent hose from dislodging during use. Refer to *Figure 9*. Use the beaded strap (supplied in accessories bag) to secure hose.

We recommend leaving the standpipe adapter on the drain hose for this type of installation.

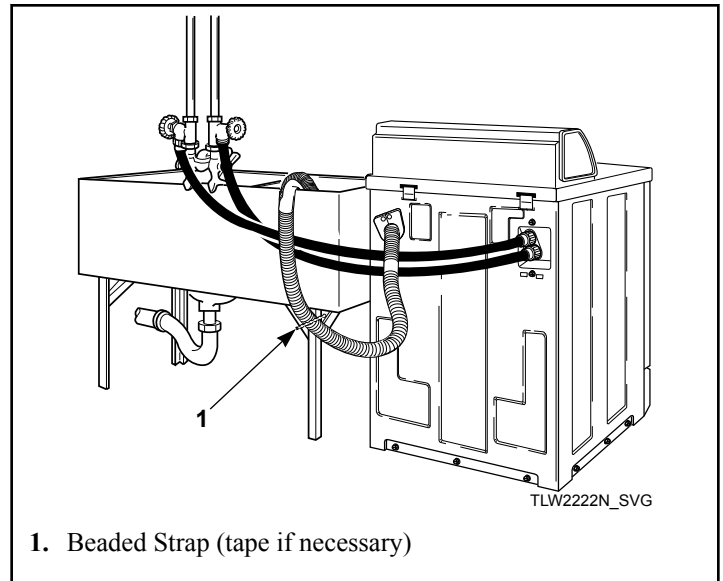


Figure 9

Position and Level the Washer

1. Position washer so it has sufficient clearance for installation and servicing.
2. Place washer in position on a clean, dry, and reasonably firm floor. Installing the washer on any type of carpeting is not recommended.

NOTE: The openings in the base must not be obstructed by a carpet.

3. For easier access to leveling legs, prop up washer with a wooden block.

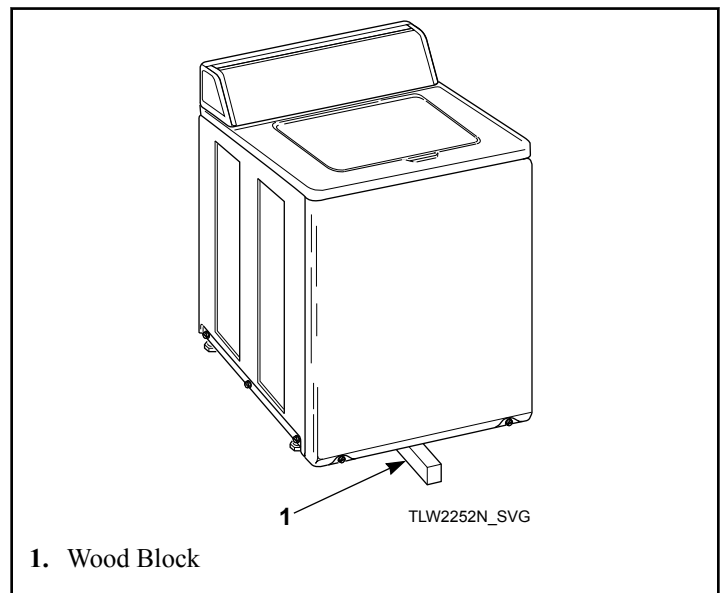


Figure 10

4. Place rubber cups (from accessories bag) on all four leveling legs.

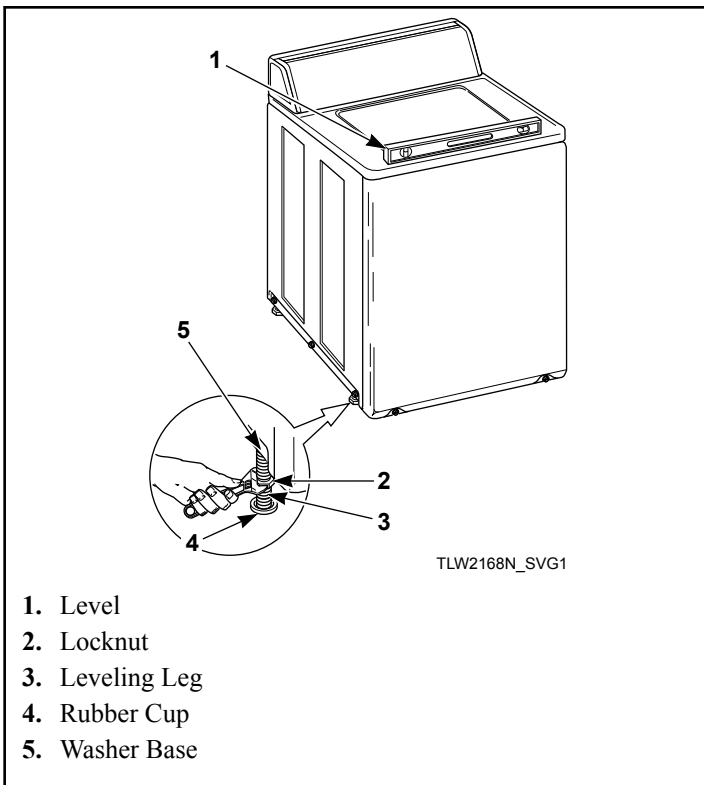


Figure 11

5. Place a level on the cabinet top and check if the washer is level from side to side and front to back.
6. If washer is not level, tilt washer back to access the front leveling legs. Loosen the locknuts and adjust legs by screwing into or out of washer base.
7. Once adjusted, tilt the washer forward on front legs and lower back down into position to set the rear self-leveling legs.
8. Washer must not rock. When washer is level and does not rock, tighten locknuts securely against bottom of washer base. If these locknuts are not tight, washer will not remain stationary during operation.

Improper installation or flexing of weak floor will cause excessive vibration.

Do not slide washer across floor once the leveling legs have been extended, as legs and base could become damaged.

9. Verify that unit does not rock.

Plug In the Washer

Electrical Requirements

240 Volt/50 Hertz

NOTE: The wiring diagram is located in the control hood.

This appliance is to be supplied through a residual current device (RCD) having a rated residual operating current not exceeding 30 mA.



WARNING

To reduce the risk of fire, electric shock, serious injury or death, all wiring and earth/ground connections **MUST** conform with the latest edition of the AS/NZS 2040.2:2005 and such local regulations as might apply. It is the customer's responsibility to have the wiring, fuses and circuit breakers installed by a qualified electrician to make sure adequate electrical power is available to the washer.

W895

When plugging in the washer:

- DO NOT overload circuits.
- DO NOT use an extension cord.
- DO NOT use an adapter.
- DO NOT operate other appliances on the same circuit.



WARNING

To reduce the risk of an electric shock or fire, **DO NOT** use an extension cord or an adapter to connect the washer to the electric power source.

W082

The washer is designed to be operated on a separate polarized three-wire, earth/ground, 240 Volt, 50 Hertz, single-phase electrical circuit protected by a 10 ampere fuse, equivalent fusetron or circuit breaker. **DO NOT OPERATE OTHER APPLIANCES ON THE SAME CIRCUIT.**

cian or your local electrical utility company check it and correct any problems.



WARNING

This unit is equipped with a three-prong (earth/ground) plug for your protection against shock hazard and should be plugged directly into a protective earth/ground three-prong receptacle. Do not cut or remove the earth/ground prong from this plug.

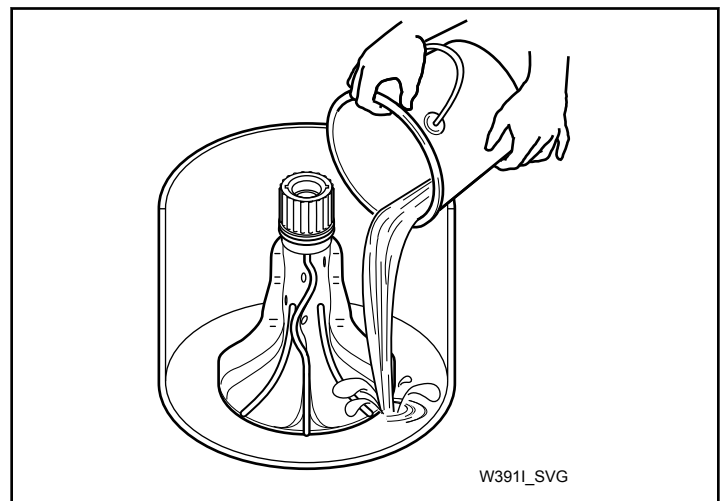
W823

If the supply cord is damaged, it must be replaced by the manufacturer, its service agent, or similarly qualified persons in order to avoid a hazard.

Add Water to the Washer

To prevent damage to pump, do not run washer before adding at least 0.95 liter [one quart] water to the tub. If the washer is run before any water is added, the pump seal may overheat, causing the pump to leak. Once installed, the water retained in the drain system from the previous cycle will provide sufficient cooling to prevent pump seal damage.

NOTE: The agitator should not be removed except for service. The washtub is designed to be self-cleaning.



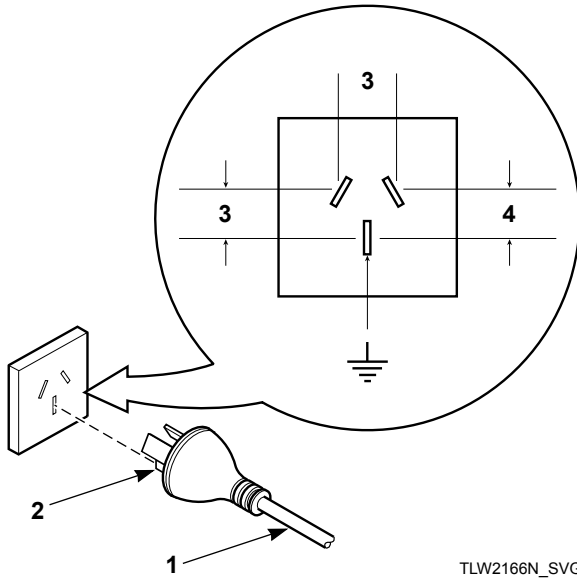
W3911_SVG

Figure 13

Check Lid Switch

Washer should stop filling, agitating, and spinning when lid is opened.

Standard 240 Volt, 50 Hertz, 3-Wire Effective Earth/Ground Circuit



TLW2166N_SVG

1. Power Cord
2. Earth/Ground Prong
3. 240 Volt/50 Hertz
4. 0 Volt

Figure 12

Earth/Ground Instructions

This appliance must be properly connected to protective earth/ground. In the event of malfunction or breakdown, the earth/ground will reduce the risk of electric shock by providing a path of least resistance for electric current.

The appliance is equipped with a cord having an equipment earth/ground conductor and a three-prong earth/ground plug. The plug must be plugged into an appropriate outlet that is properly installed and connected to a protective earth/ground in accordance with all local codes and ordinances.



WARNING

Improper connection of the equipment earth/ground conductor can result in a risk of electric shock. Check with a qualified electrician or service person if you are in doubt as to whether the unit is properly connected to a protective earth/ground.

W893

- DO NOT modify the plug provided with the unit – if it will not fit the outlet, have a proper outlet installed by a qualified electrician.
- If the laundry room's electrical supply does not meet the above specifications and/or if you are not sure the laundry room has an effective earth/ground, have a qualified electrician or your local electrical utility company check it and correct any problems.

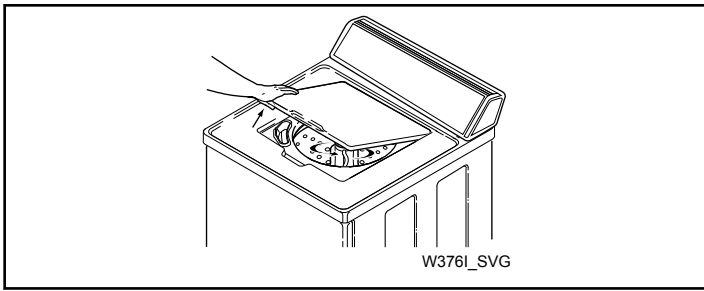
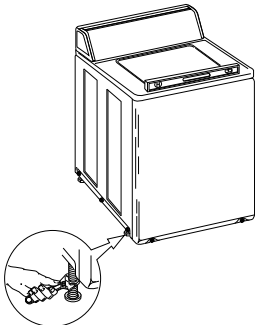
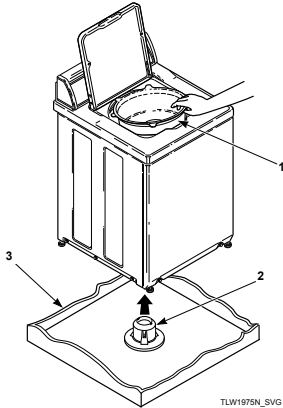
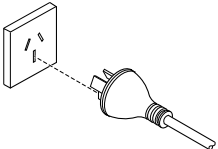
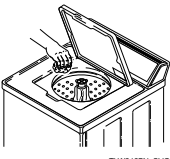
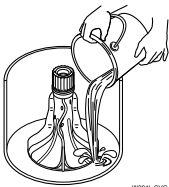
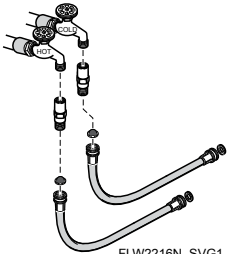
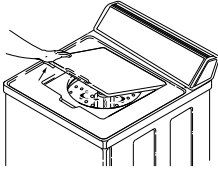
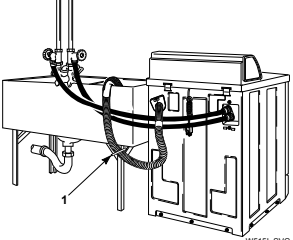


Figure 14

Check Installation

1. Refer to Installer Checklist on the back cover of this manual and make sure that washer is installed correctly.
2. Run washer through one complete cycle to make sure it is operating properly.

Installer Checklist

1	Position Washer Near Installation Area.	6	Position and Level the Washer. NOTE: Tighten locknut after final adjustment. NOTE: Place rubber feet on all four leveling legs.	 <p>TLW2168N_SVG</p>	
	CHECK		CHECK		
2	Remove the Shipping Brace and Shipping Plug. NOTE: Save the shipping brace and plug. They must be reinstalled whenever washer is moved or transported to a new location.	 <p>TLW1975N_SVG</p>	7	Connect Washer to Electrical Power	 <p>TLW2170N_SVG</p>
	CHECK		CHECK		
3	Wipe Out Inside of Washtub.	 <p>TLW2127N_SVG</p>	8	Add Water to the Washer to Prevent Damage to Pump.	 <p>WS91_SVG</p>
	CHECK		CHECK		
4	Connect Fill Hoses. NOTE: Screw black colored or hex nut shaped hose couplings onto the water taps.	 <p>FLW2216N_SVG1</p>	9	Check Lid Switch by Opening Lid During Agitation Portion of Wash Cycle.	 <p>TLW2128N_SVG</p>
	CHECK		CHECK		
5	Connect Drain Hose to Drain Receptacle.	 <p>WS191_SVG</p>	10	Recheck Steps 1-9. NOTE: Refer to User's Guide for proper operation.	
	CHECK		CHECK		